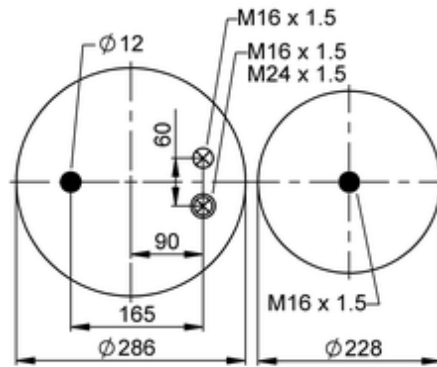
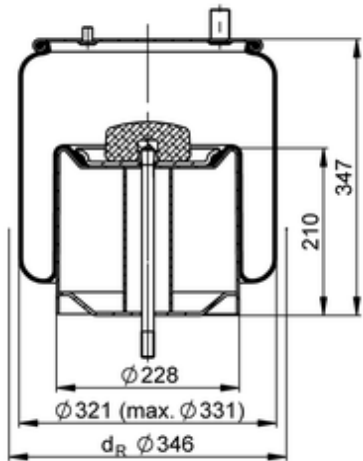


**4911 N P03**
**67718**


- bolt or stud
- hole
- combination stud
- air inlet
- stud and nut

Article status	Normal
GTIN/EAN	4054391105895
Bellow number	4911 N
kg	13,5 kg
	10086790
	K018
	M16x1.5: max. 180 Nm
	M16x1.5: max. 80 Nm
	M24x1.5: max. 120 Nm

**OE Manufacturer/Part No.**

<b>Manufacturer</b>	<b>Original Part No.</b>	<b>Model</b>
Renault	5.010.294.308 .C	Magnum low truck
Renault	5.010.294.308 .C	Premium low truck