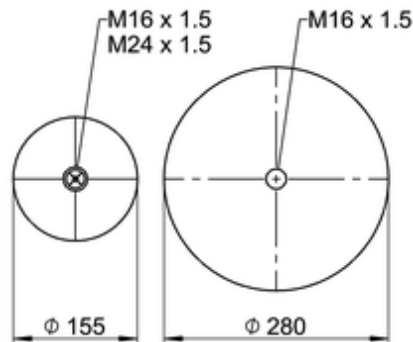
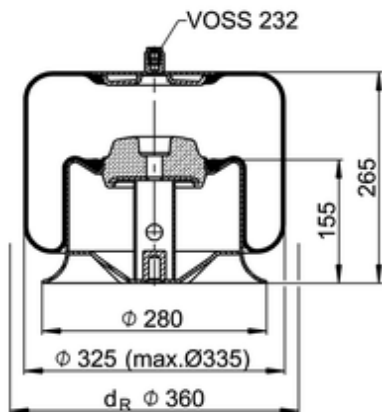


4737 N P26
600175


- bolt or stud
- hole
- combination stud
- air inlet
- stud and nut

Article status	Normal
GTIN/EAN	4054391142197
Bellow number	4737 N
kg	9,8 kg
	69215
	10087335
	K021
	M16x1.5: max. 130 Nm
	M24x1.5: max. 100 Nm

OE Manufacturer/Part No.

Manufacturer	Original Part No.	Model
Mercedes	A 942 320 10 17	
Mercedes	A 942 320 10 17	
Mercedes	942 320 10 17	
Mercedes	942 320 63 21	
Mercedes	A 942 320 63 21	Atego
Mercedes	A 942 320 63 21	Atego