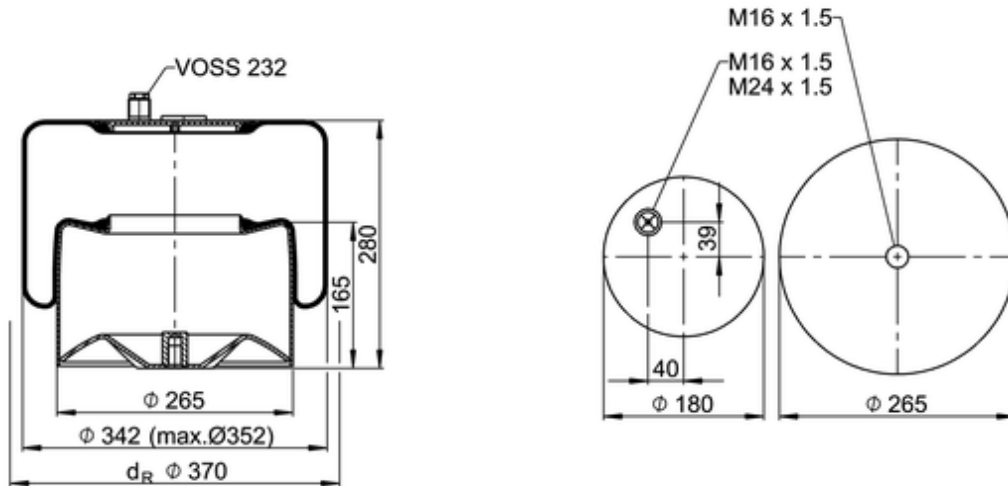


4183 N P25
600131


- bolt or stud
- hole
- combination stud
- air inlet
- stud and nut

Article status	Normal
GTIN/EAN	4054391141756
Bellow number	4183 N
kg	9,3 kg
	69062
	10076020
	K021
	M16x1.5: max. 130 Nm
	M16x1.5: max. 20 Nm
	M24x1.5: max. 25 Nm

OE Manufacturer/Part No.

Manufacturer	Original Part No.	Model
Mercedes	942 320 13 21	
Mercedes	942 320 22 21	
Mercedes	942 320 68 21	
Mercedes	A 942 320 13 21	Actros
Mercedes	A 942 320 13 21	Actros
Mercedes	A 942 320 68 21	Actros MP2
Mercedes	A 942 320 68 21	Actros MP2
Mercedes	A 942 320 22 21	Actros MP2
Mercedes	A 942 320 22 21	Actros MP2