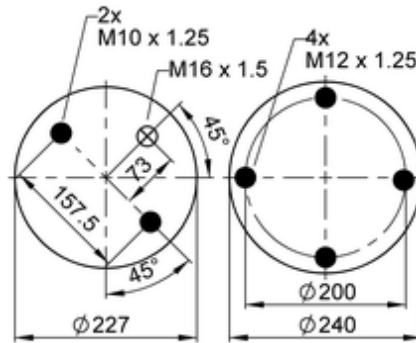
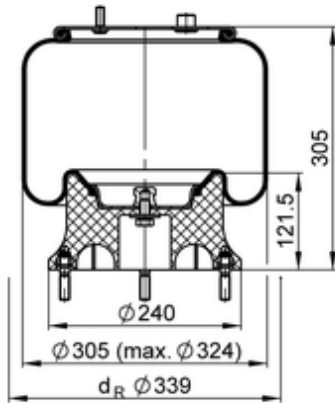













4154 N P06

67740



-  bolt or stud
-  hole
-  combination stud
-  air inlet
-  stud and nut

Article status	Normal
GTIN/EAN	4054391105963
Bellow number	4154 N
 kg	4,8 kg
	10086795
	
	M10x1.25: max. 30 Nm
	M12x1.25: max. 70 Nm
	M16x1.5: max. 80 Nm

OE Manufacturer/Part No.

Manufacturer	Original Part No.	Model
--------------	-------------------	-------

Renault	5.010.600.570	Premium / Magnum Lift
Renault	5.010.305.438	Premium / Magnum Lift
Volvo	21 978 510	FM / FH Lift
Volvo	20 758 818	FM / FH Lift
Renault	7.421.978.506	T-Series