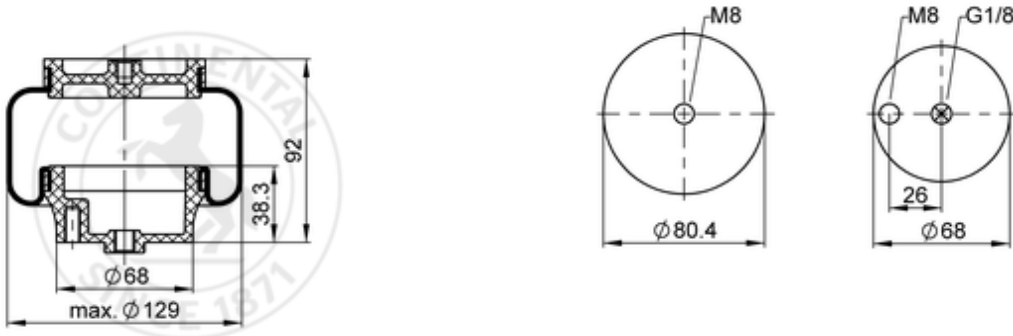


SZ 51- 5
60332


bolt or stud
 hole
 combination stud
 air inlet
 stud and nut

kg	0,2 kg
	9306229
	G1/8: max. 2 Nm
	M8: max. 2 Nm

OE Manufacturer/Part No.

Manufacturer	Original Part No.	Model
C.O.B.O.	2014118	