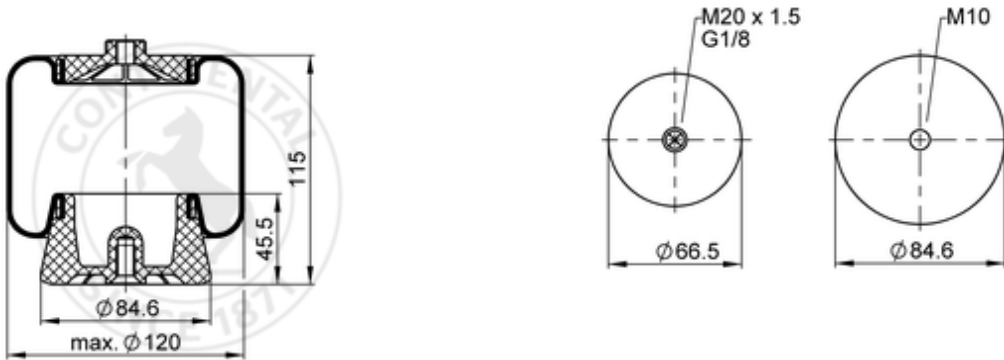


SZ 45- 8 P01
62709


bolt or stud
 hole
 combination stud
 air inlet
 stud and nut

kg	0,3 kg
	9309601
	G1/8: max. 2 Nm
	M10: max. 10 Nm
	M20x1.5: max. 10 Nm

OE Manufacturer/Part No.

Manufacturer	Original Part No.	Model
BeGe	500184	(880 Z)