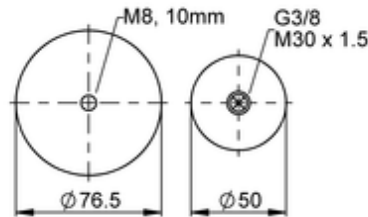
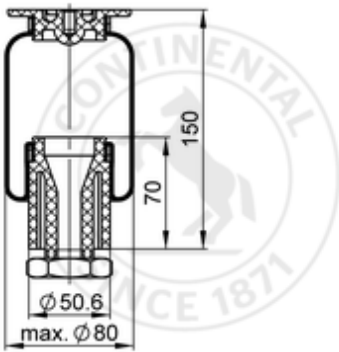


**SZ 35-11**
**61083**


- bolt or stud
- hole
- combination stud
- air inlet
- stud and nut

	0,4 kg
	9305073
	G3/8: max. 15 Nm
	M8: max. 10 Nm

**OE Manufacturer/Part No.**

Manufacturer	Original Part No.	Model
EvoBus	A 000 553 10 10	
Kässbohrer	4.731.046.000	O 404
Temsa	62309-9000-11Y	Safari
Temsa	62309-9000-11Y	Diamond
Temsa	62309-9000-11Y	Eurosafari