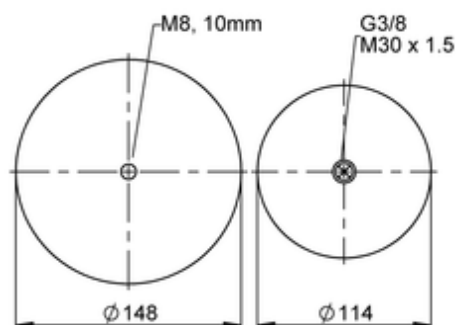
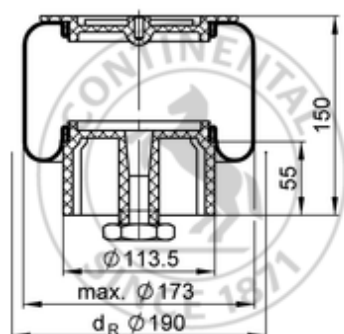







SZ 140-11

2687060000



bolt or stud
 hole
 combination stud
 air inlet
 stud and nut

 kg	1 kg
	9305077
	G3/8: max. 15 Nm
	M30x1.5: max. 25 Nm
	M8: max. 10 Nm

OE Manufacturer/Reference No.

Manufacturer	Original-part no.	Model
--------------	-------------------	-------