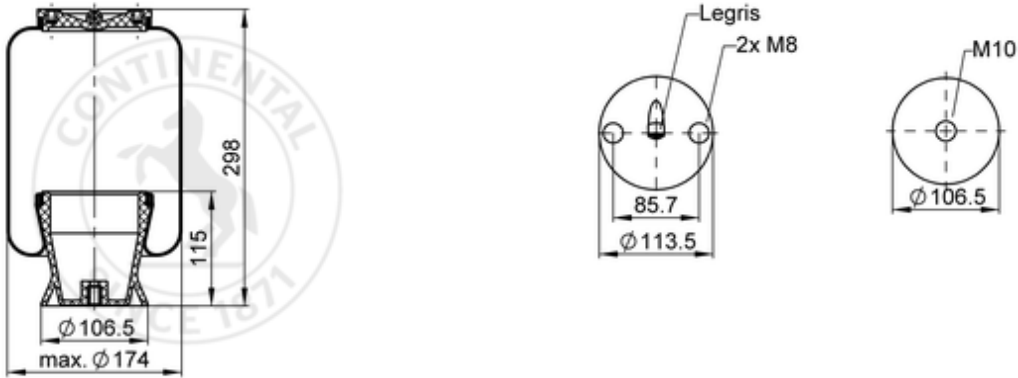






SZ 135-23

60012



bolt or stud
 hole
 combination stud
 air inlet
 stud and nut

| | |
|--|-----------------|
|  kg | 1,1 kg |
|  | 9303196 |
|  | M10: max. 20 Nm |
|  | M8: max. 15 Nm |

OE Manufacturer/Part No.

| Manufacturer | Original Part No. | Model |
|--------------|-------------------|------------|
| Glide-Rite | | Ambulances |