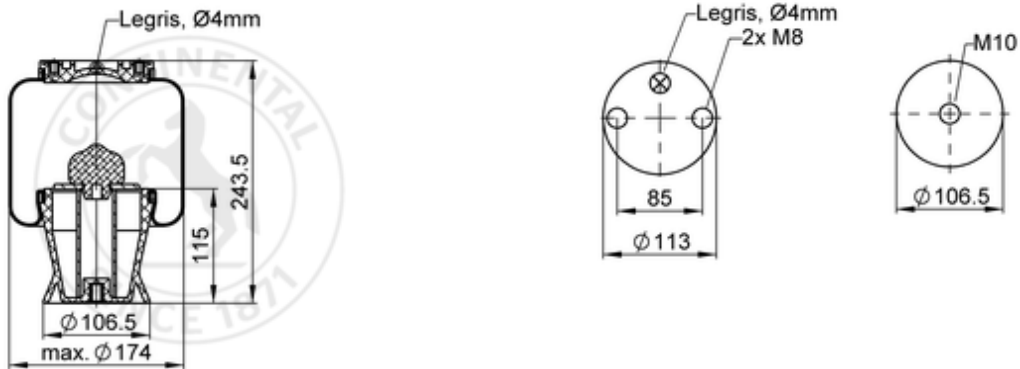


SZ 135-19 P02
61008


bolt or stud
 hole
 ⊗ combination stud
 ⊗ air inlet
 ● stud and nut

kg	1,2 kg
	9308179
	M10: max. 20 Nm
	M8: max. 15 Nm

OE Manufacturer/Part No.

Manufacturer	Original Part No.	Model
Al-Ko	1560121	