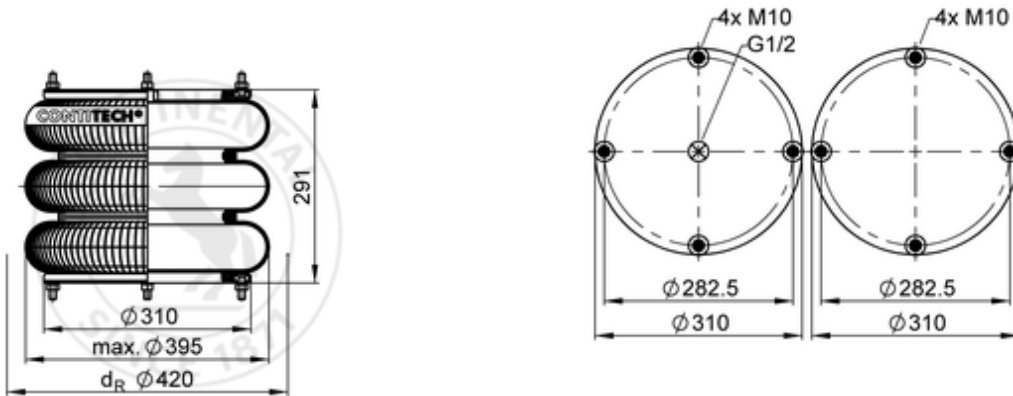


FT 614-36 1/2 M10
68047


- bolt or stud
- hole
- combination stud
- air inlet
- stud and nut

kg	9,5 kg
	incl.
	G1/2: max. 25 Nm
	M10: max. 35 Nm

OE Manufacturer/Part No.

Manufacturer	Original Part No.	Model
Granning	15832	
Weweler	USN 510018KD	