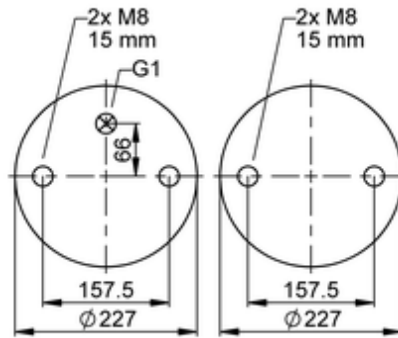
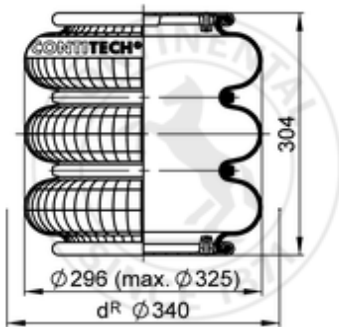


FT 330-29 1/1 M8
61830


bolt or stud
 hole
 X combination stud
 X air inlet
 ● stud and nut

kg	5,5 kg
	G1/1: max. 50 Nm
	M8: max. 25 Nm

OE Manufacturer/Part No.

Manufacturer	Original Part No.	Model
--------------	-------------------	-------