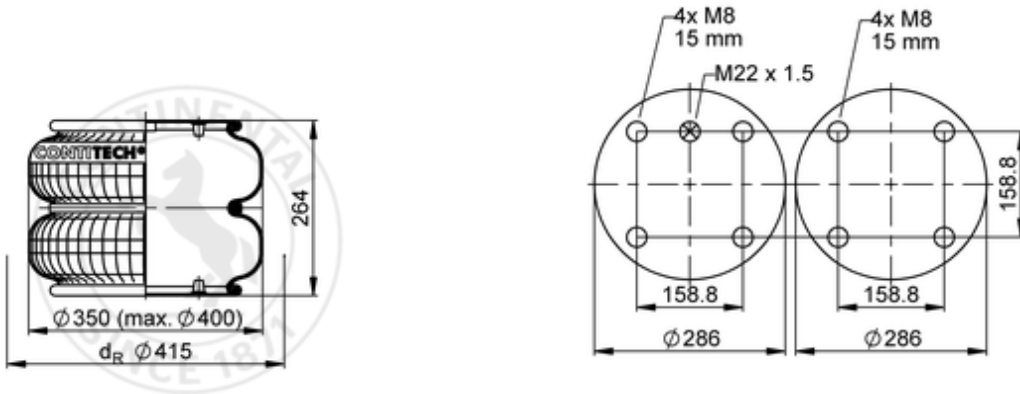





FD 530-30 P04

78277



bolt or stud
 hole
 ⊗ combination stud
 ⊗ air inlet
 ● stud and nut

 kg	7 kg
	M22x1.5: max. 60 Nm
	M8: max. 25 Nm

OE Manufacturer/Part No.

Manufacturer	Original Part No.	Model
DAF	1 794 430	