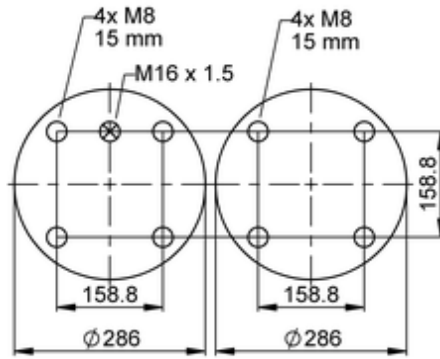
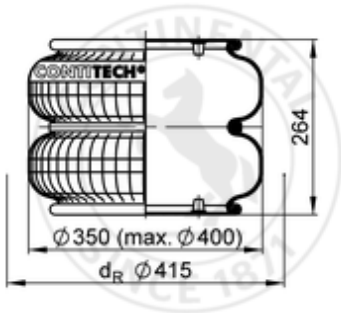


**FD 530-30 P03**
**65725**


- bolt or stud
- hole
- combination stud
- air inlet
- stud and nut

kg	7,1 kg
	M16x1.5: max. 45 Nm
	M8: max. 25 Nm

**OE Manufacturer/Part No.**

Manufacturer	Original Part No.	Model
DAF	1 698 435	CF 65
DAF	1 698 435	CF 75-85
DAF	1 698 435	LF 45-55
DAF	1 698 435	XF 95-105