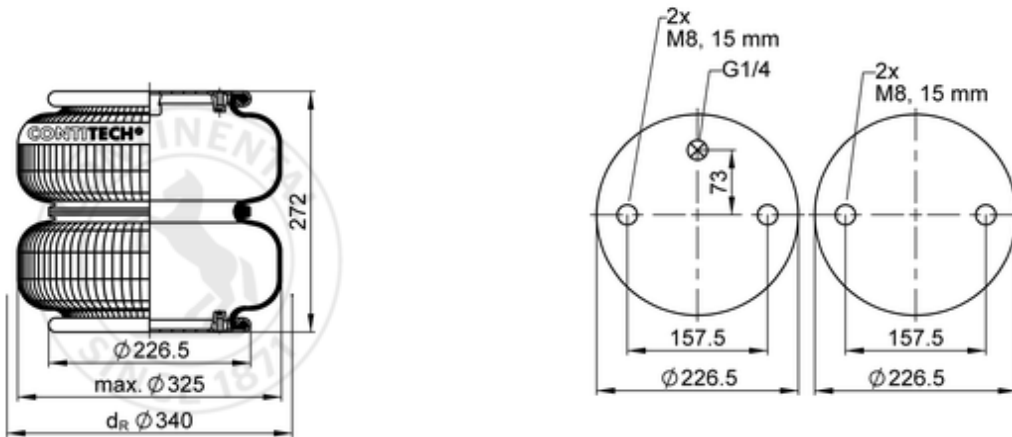


**FD 330-30 1/4 M8**
**60417**


- bolt or stud
- hole
- combination stud
- air inlet
- stud and nut

kg	5,1 kg
	G1/4: max. 25 Nm
	M8: max. 25 Nm

**OE Manufacturer/Part No.**

Manufacturer	Original Part No.	Model
Hendrickson	NA 1816	
Jung		