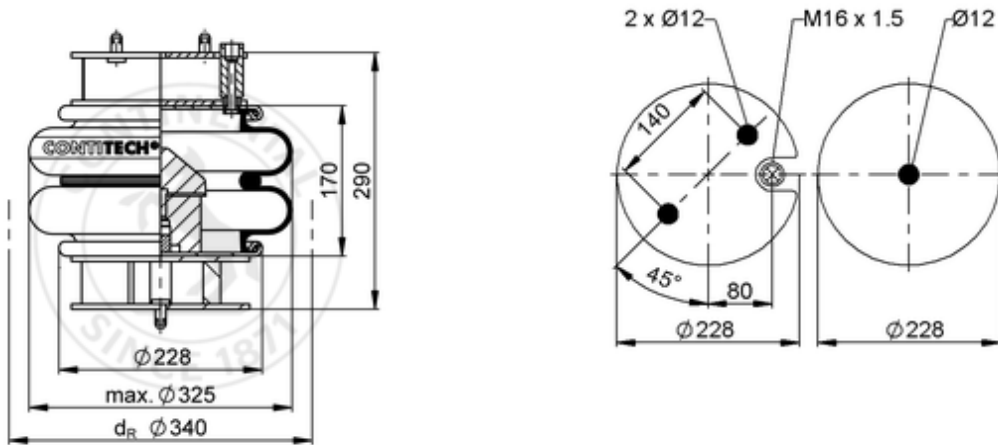


FD 330-22 P08
54531


- bolt or stud
- hole
- combination stud
- air inlet
- stud and nut

kg	10,4 kg
	K031
	M16x1.5: max. 20 Nm

OE Manufacturer/Part No.

Manufacturer	Original Part No.	Model
Scania	1726244	Double Decker
Scania	2024297	Double Decker