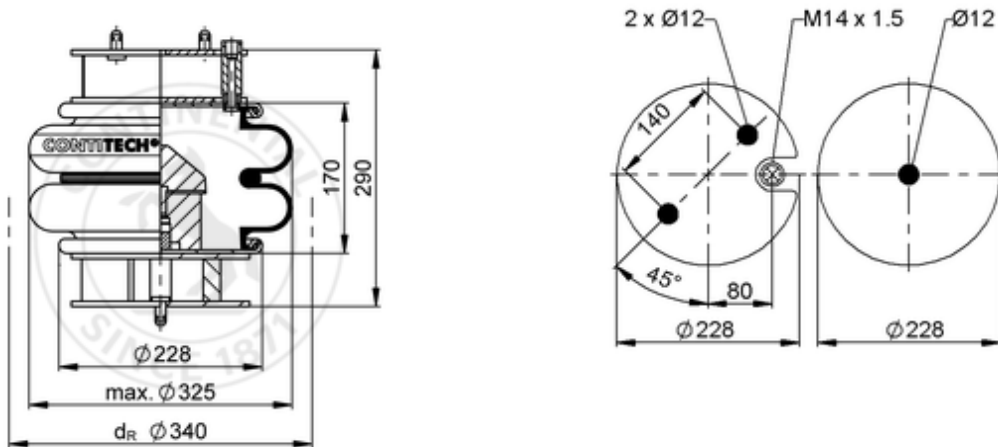


**FD 330-22 P07**
**54530**


- bolt or stud
- hole
- combination stud
- air inlet
- stud and nut

kg	10,4 kg
	K031
	M14x1.5: max. 20 Nm

**OE Manufacturer/Part No.**

Manufacturer	Original Part No.	Model
Scania	1503813	Double Decker