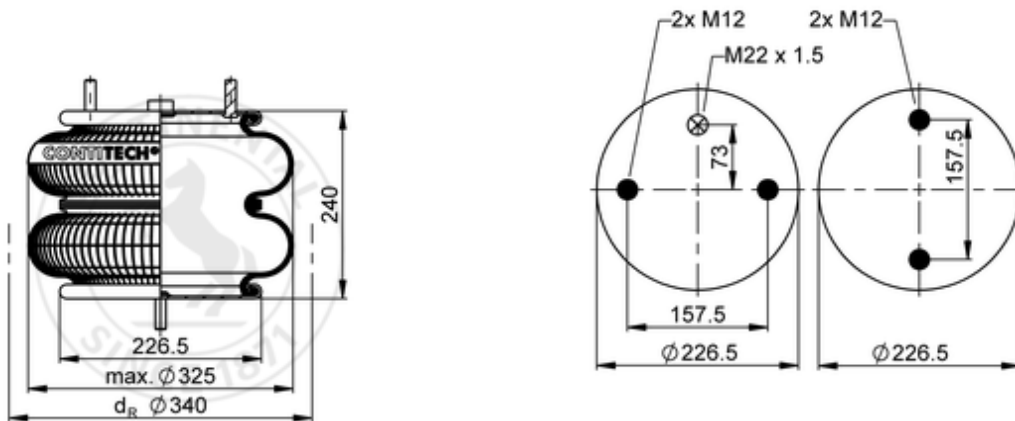


**FD 330-22 P06**
**78276**


- bolt or stud
- hole
- combination stud
- air inlet
- stud and nut

	5,3 kg
	M12: max. 50 Nm
	M22x1.5: max. 60 Nm

**OE Manufacturer/Part No.**

Manufacturer	Original Part No.	Model
DAF	1 892 484	FTG