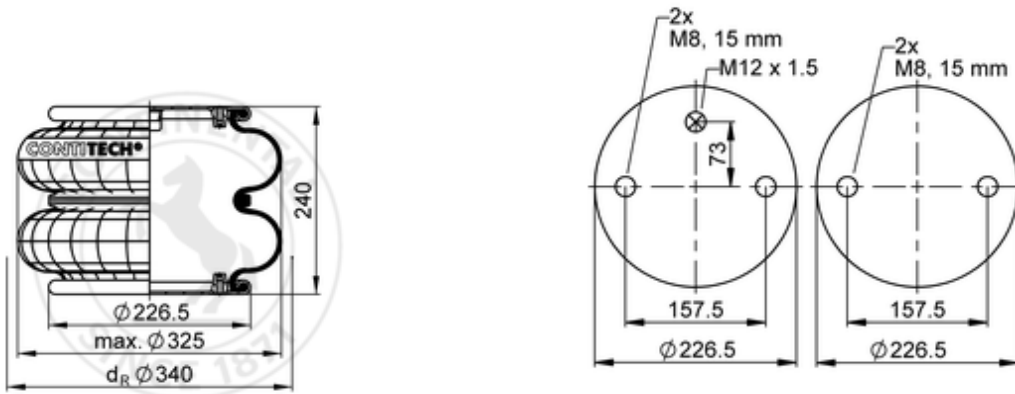


FD 330-22 M12x1.5 M8

2682066000



● bolt or stud    ○ hole    ⊗ combination stud    ⊗ air inlet    ● stud and nut

	4,8 kg
	M12x1.5: max. 40 Nm
	M8: max. 25 Nm

OE Manufacturer/Part No.

Manufacturer	Original Part No.	Model
BPW	02.200.21.90.0	