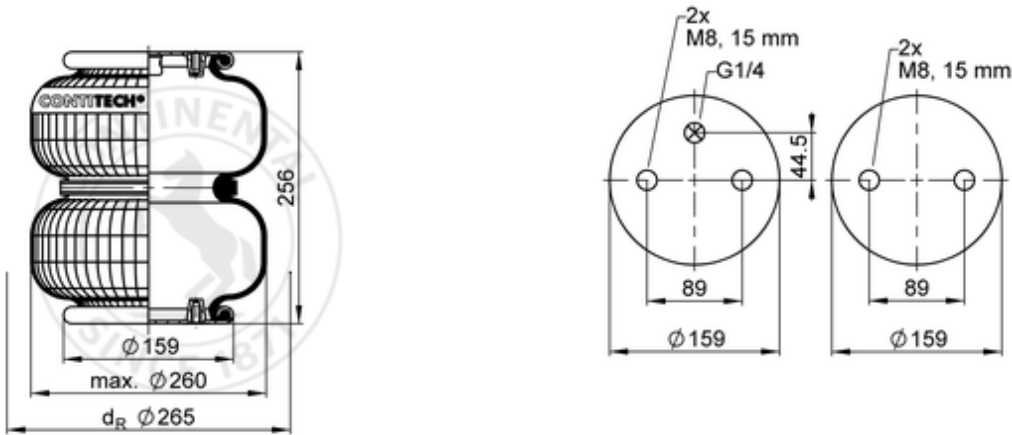


FD 200-25 1/4 M8
60555


bolt or stud
 hole
 ⊗ combination stud
 ⊗ air inlet
 ● stud and nut

kg	3 kg
	G1/4: max. 25 Nm
	M8: max. 25 Nm

OE Manufacturer/Part No.

Manufacturer	Original Part No.	Model
Jost	3010702401	
Jost	JAS 30 107 024 01	
Jost	JAЕ 30 107 024 01	
Daimler TAS	A 946 328 24 01	DCA TZ4. TZ5. TE4. TE5