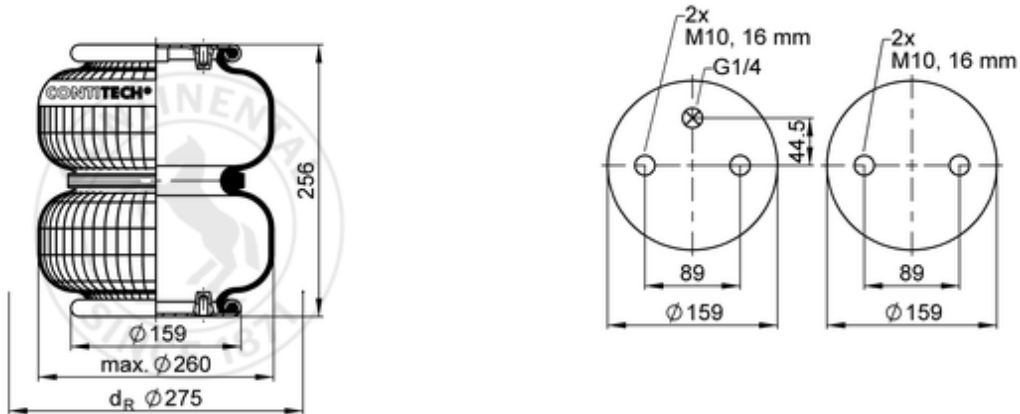


FD 200-25 1/4 M10
62892


bolt or stud
 hole
 combination stud
 air inlet
 stud and nut

kg	3 kg
	K023
	G1/4: max. 25 Nm
	M10: max. 35 Nm

OE Manufacturer/Part No.

Manufacturer	Original Part No.	Model
Meritor	2122 1356	
Weweler	US 07394C	
Schmitz	016 808	
Granning	15670	
Jost	JAE 20 107 021 01	
Jost	2010702101	
Daimler TAS	A 946 328 21 01	
Weweler	US 07394F	

Weweler	US 07394	AC 173
Valx	81005002	HD100