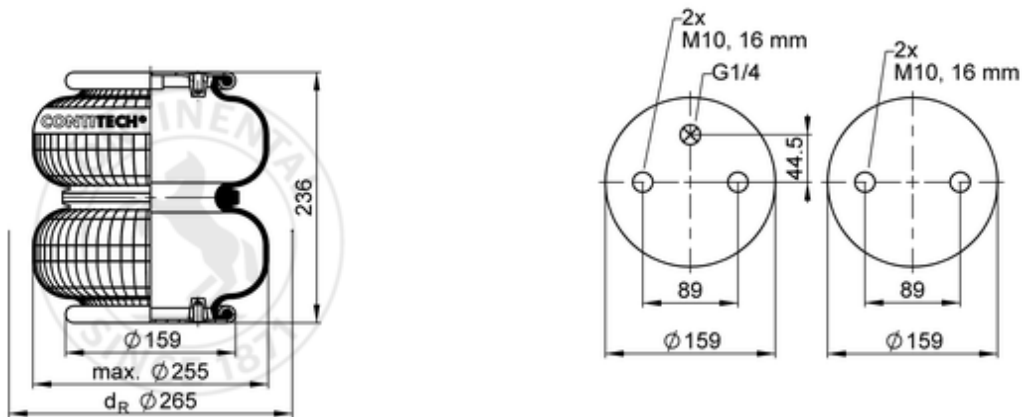


FD 200-22 1/4 M10
72448


- bolt or stud
- hole
- combination stud
- air inlet
- stud and nut

	2,9 kg
	10002852
	K023
	G1/4: max. 25 Nm
	M10: max. 35 Nm

OE Manufacturer/Part No.

Manufacturer	Original Part No.	Model
Weweler	YP06910W	
KRONE	550018467	
Schmitz	015 335	
SMB	093770016	
Weweler	YP06910F	
Acceval	EDD1-020	
Jost	JAS 20 107 016 01	

Jost	JAE 20 107 016 01	
Jost	2010701601	
KRONE	550018680	
Weweler	US 06910C	
Weweler	US 06910F	
Schmitz	016 793	
Weweler	US 06910C	
Weweler	US 06910F	
Schmitz	016 793	
Daimler TAS	A 946 328 16 01	DCA; DLS
Valx	81005001	MBS