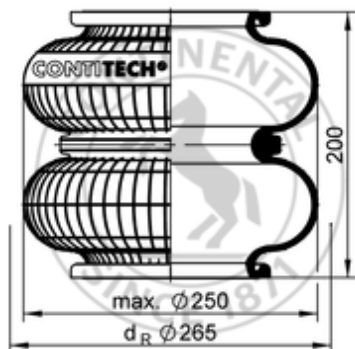




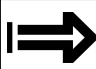


FD 200-19 S

72021



-  bolt or stud
-  hole
-  combination stud
-  air inlet
-  stud and nut

 kg	1,1 kg
	895 N

OE Manufacturer/Reference No.

Manufacturer	Original-part no.	Model
Volvo	0 365 431	B 58
Volvo	0 365 461	B 58
Volvo	6 882 797	B 58
Pegaso		5231/5236/5266