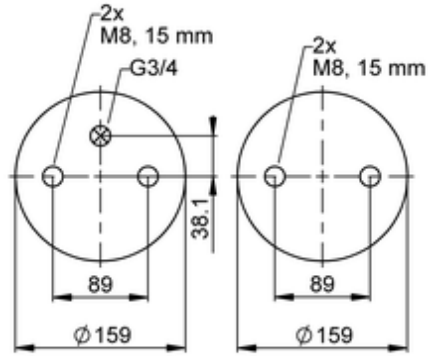
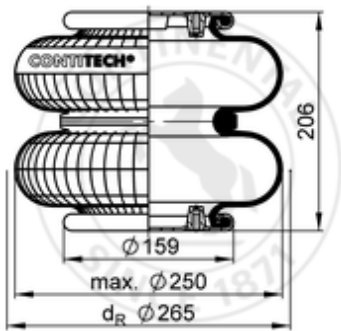


**FD 200-19 3/4 M8**
**72046**


- bolt or stud
- hole
- combination stud
- air inlet
- stud and nut

	2,8 kg
	10002633
	G3/4: max. 50 Nm
	M8: max. 25 Nm

**OE Manufacturer/Part No.**

Manufacturer	Original Part No.	Model
Gigant	700190130	
Gigant	190130	
KRONE	550011095	
Gigant	00190130	