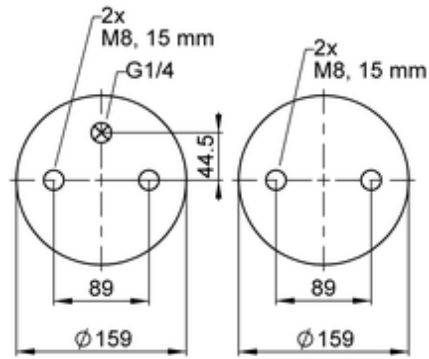
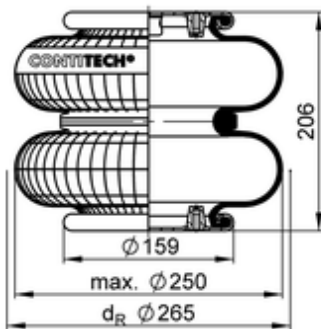


FD 200-19 1/4 M8
72045


- bolt or stud
- hole
- combination stud
- air inlet
- stud and nut

Article status	Normal
GTIN/EAN	4054389112546
Bellow number	FD 200-19
kg	2,8 kg
	10002632
	G1/4: max. 25 Nm
	M8: max. 25 Nm

OE Manufacturer/Part No.

Manufacturer	Original Part No.	Model
--------------	-------------------	-------