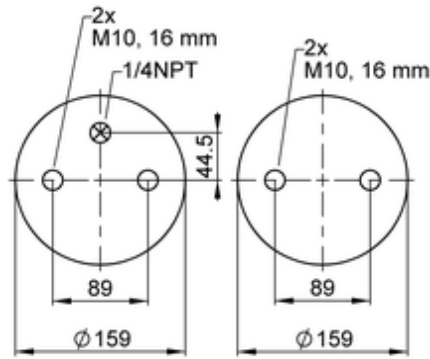
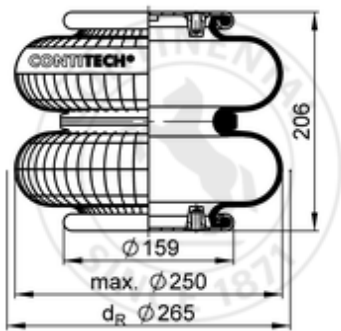


FD 200-19 1/4 M10
72047


- bolt or stud
- hole
- combination stud
- air inlet
- stud and nut

	2,8 kg
	10002634
	K023
	G1/4: max. 25 Nm
	M10: max. 35 Nm

OE Manufacturer/Part No.

Manufacturer	Original Part No.	Model
Floor	13586	
Granning	1371	
Granning	15603	
Meritor	2122 1395	
Meritor	2122 2663	

