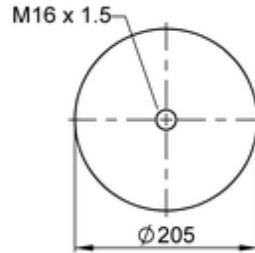
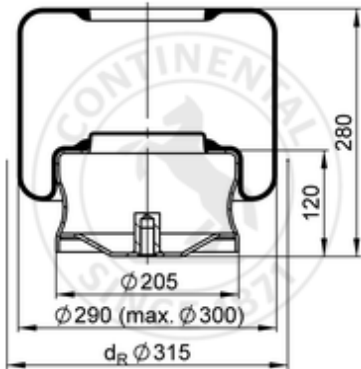


946 N P04
66038


- bolt or stud
- hole
- combination stud
- air inlet
- stud and nut

	5,1 kg
	M16x1.5: max. 100 Nm

OE Manufacturer/Part No.

Manufacturer	Original Part No.	Model
EvoBus	A 628 320 02 18	
EvoBus	A 628 323 00 92	
EvoBus	A 628 320 12 25	Setra HDH 415 / 416 low
EvoBus	A 628 320 12 25	Citaro LE, low entry