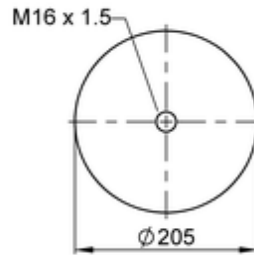
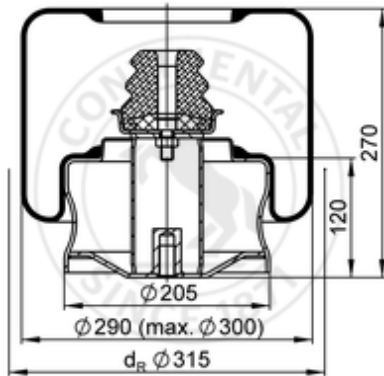


946 N P03
66037


- bolt or stud
- hole
- combination stud
- air inlet
- stud and nut

	6,5 kg
	M16x1.5: max. 100 Nm

OE Manufacturer/Part No.

Manufacturer	Original Part No.	Model
EvoBus	A 628 322 00 67	
EvoBus	A 628 321 00 06	
EvoBus	A 628 320 03 18	
EvoBus	A 628 323 00 92	
EvoBus	A 628 320 10 25	Setra HDH 415 / 416
EvoBus	A 628 320 10 25	Citaro K,L,G,GL