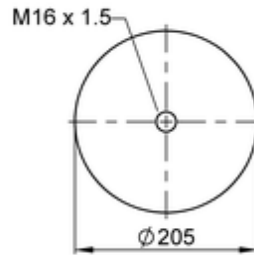
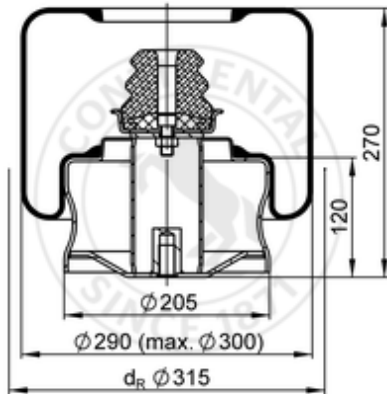


946 N P02
66036


- bolt or stud
- hole
- combination stud
- air inlet
- stud and nut

| | |
|--|----------------------|
| | 6,4 kg |
| | M16x1.5: max. 100 Nm |

OE Manufacturer/Part No.

| Manufacturer | Original Part No. | Model |
|--------------|-------------------|---------------------------|
| EvoBus | A 628 320 03 18 | |
| EvoBus | A 628 322 00 87 | |
| EvoBus | A 628 321 01 06 | |
| EvoBus | A 628 323 00 92 | |
| EvoBus | A 628 320 09 25 | Setra HDH 415 / 416 |
| EvoBus | A 628 320 09 25 | Citaro G, GL, articulated |