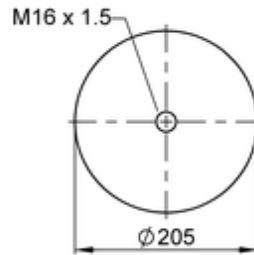
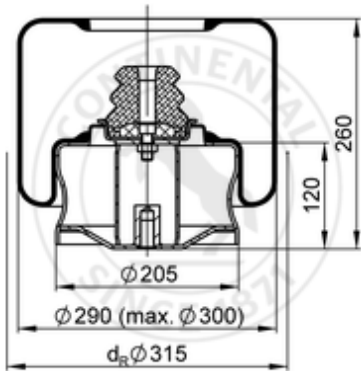


**946 N P01**
**66035**


- bolt or stud
- hole
- combination stud
- air inlet
- stud and nut

	6,4 kg
	M16x1.5: max. 100 Nm

**OE Manufacturer/Part No.**

Manufacturer	Original Part No.	Model
EvoBus	A 628 322 00 87	
EvoBus	A 628 320 00 18	
EvoBus	A 628 321 00 06	
EvoBus	A 628 323 00 92	
EvoBus	A 628 320 08 25	Setra HDH 415 / 416
EvoBus	A 628 320 08 25	Citaro O530, Travego O580