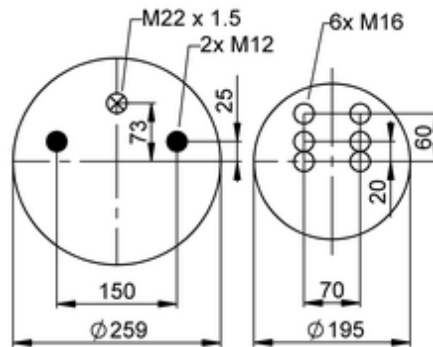
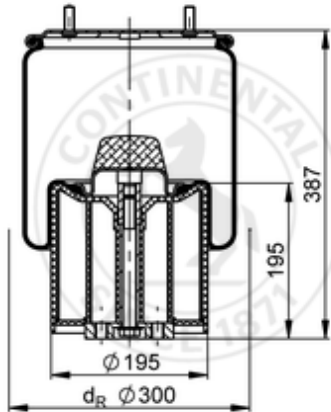


**941 MB P30**
**73421**


bolt or stud    
  hole    
 ⊗ combination stud    
 ⊗ air inlet    
 ● stud and nut

	9,6 kg
	K029
	M12: max. 70 Nm
	M16: max. 230 Nm
	M22x1.5: max. 20 Nm

**OE Manufacturer/Part No.**

Manufacturer	Original Part No.	Model
Schmitz	015 502	30
Schmitz	017 109	30
Scania	2338887	30
BPW	05.429.43.20.0	30

