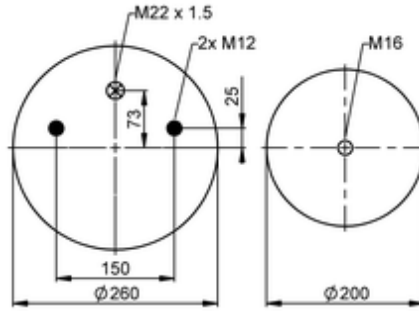
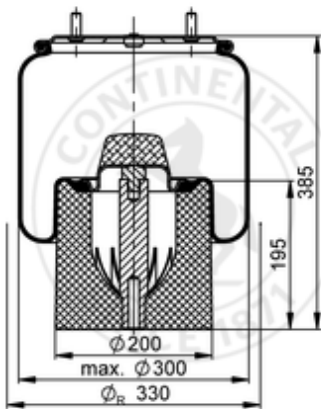













941 MB P01

78363



-  bolt or stud
-  hole
-  combination stud
-  air inlet
-  stud and nut

	7,7 kg
	10003419
	
	M12: max. 70 Nm
	M16: max. 230 Nm
	M22x1.5: max. 20 Nm

OE Manufacturer/Part No.

Manufacturer	Original Part No.	Model
BPW	05.429.43.85.0	30