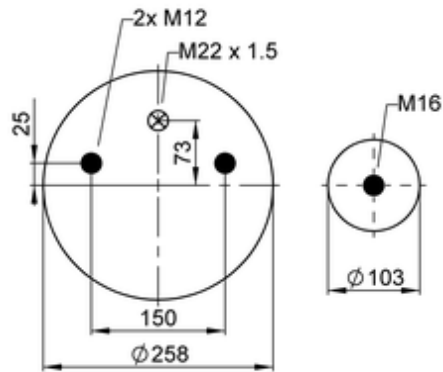
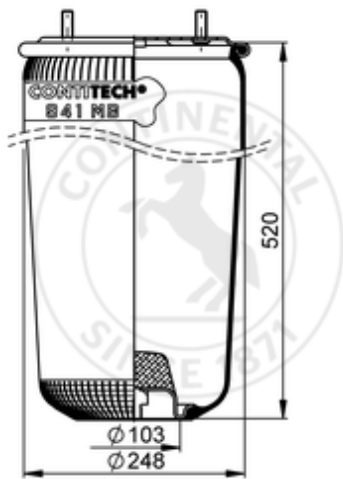

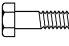





941 MB

67207



-  bolt or stud
-  hole
-  combination stud
-  air inlet
-  stud and nut

 kg	5 kg
	K029
	M12: max. 70 Nm
	M16: max. 130 Nm
	M22x1.5: max. 20 Nm

OE Manufacturer/Part No.

Manufacturer	Original Part No.	Model
Schmitz	015 514	30
BPW	05.429.40.03.0	30