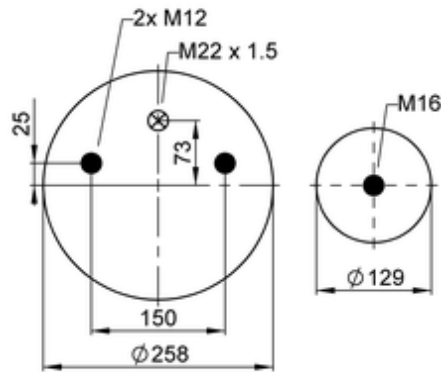
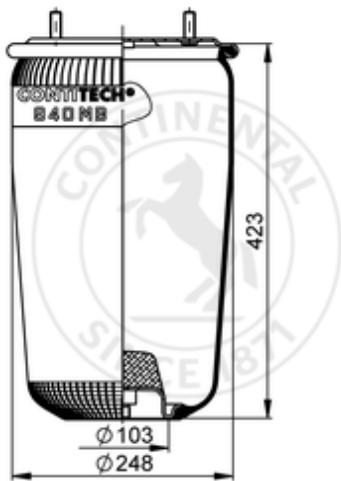


940 MB
67205


- bolt or stud
- hole
- combination stud
- air inlet
- stud and nut

	4,7 kg
	K029
	M12: max. 70 Nm
	M16: max. 130 Nm
	M22x1.5: max. 20 Nm

OE Manufacturer/Part No.

Manufacturer	Original Part No.	Model
BPW	05.429.40.91.0	30 K
Scania	2406164	30 K
Schmitz	013 769	30 K