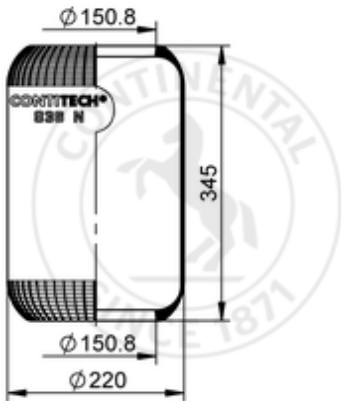



936 N

73019



- bolt or stud hole combination stud air inlet stud and nut

 kg	1,5 kg
--	--------

OE Manufacturer/Part No.

Manufacturer	Original Part No.	Model
IRISBUS	5.000.819.370	