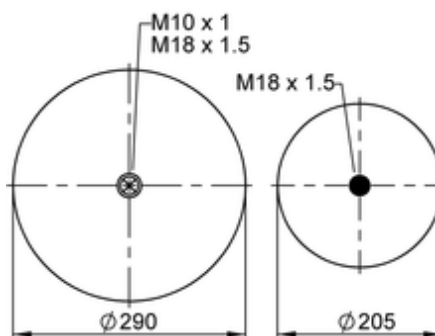
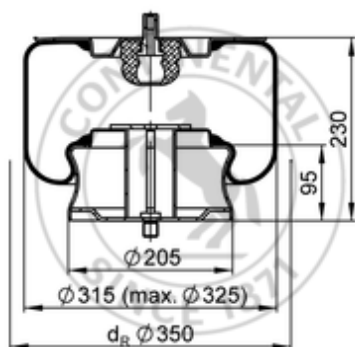








936 MB

73084



-  bolt or stud
-  hole
-  combination stud
-  air inlet
-  stud and nut

	7,1 kg
	M18x1.5: max. 80 Nm

OE Manufacturer/Reference No.

Manufacturer	Original-part no.	Model
IRISBUS	5.000.787.901	R 312
IRISBUS	5.010.019.248	R 312