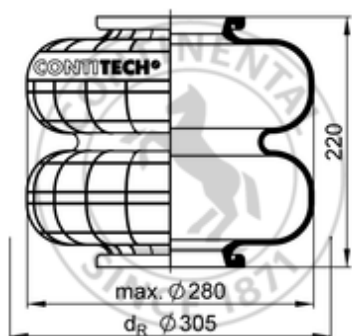



926 N

61920



- bolt or stud
- hole
- combination stud
- air inlet
- stud and nut

	2 kg
---	------

OE Manufacturer/Reference No.

Manufacturer	Original-part no.	Model
BPW	02.200.21.20.0	