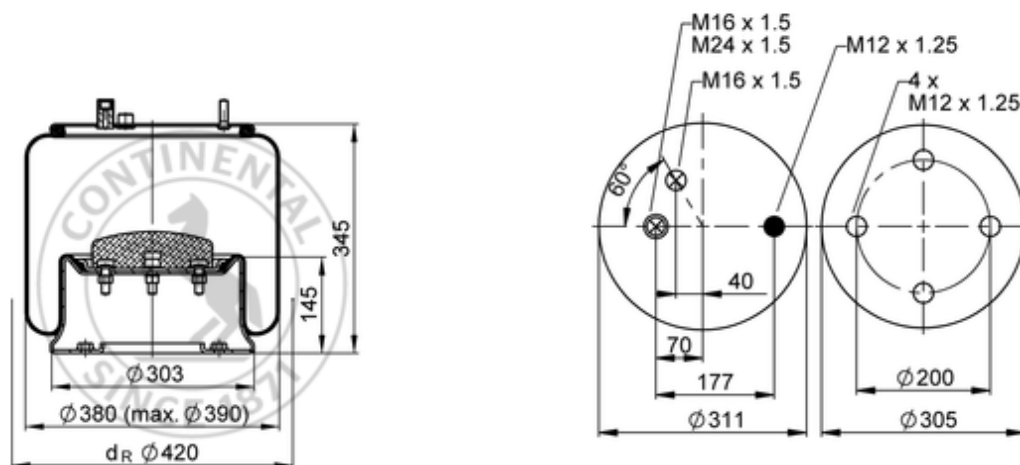







901 MB

2686029000



 bolt or stud
  hole
  combination stud
  air inlet
  stud and nut

 kg	17,4 kg
	
	M12x1.25: max. 70 Nm
	M16x1.5: max. 80 Nm
	M24x1.5: max. 120 Nm

OE Manufacturer/Reference No.

Manufacturer	Original-part no.	Model
Renault	5.010.130.683	Premium. Magnum
Renault	5.010.052.722	Premium. Magnum