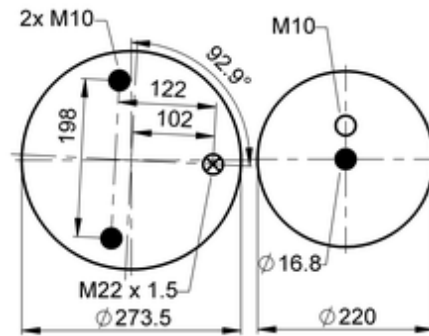
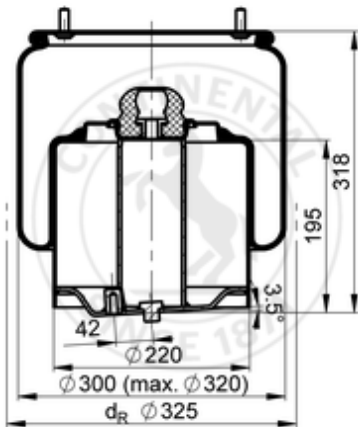


899 N P03 R
78215


- bolt or stud
- hole
- ⊗ combination stud
- ⊗ air inlet
- stud and nut

	10,6 kg
	M10: max. 45 Nm
	M22x1.5: max. 20 Nm

OE Manufacturer/Part No.

Manufacturer	Original Part No.	Model
DAF	1 914 444	STD Right