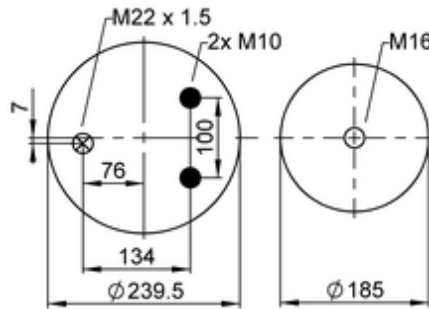
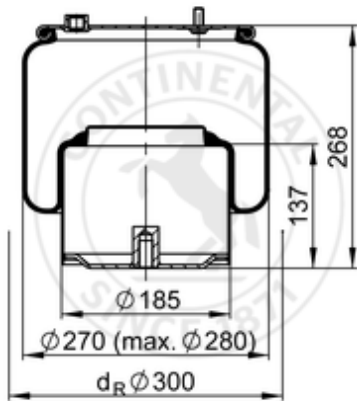


887 N P09
70539


bolt or stud
 hole
 combination stud
 air inlet
 stud and nut

	5,8 kg
	K008
	M10: max. 35 Nm
	M16: max. 130 Nm
	M22x1.5: max. 20 Nm

OE Manufacturer/Part No.

Manufacturer	Original Part No.	Model
DAF	1 794 425	