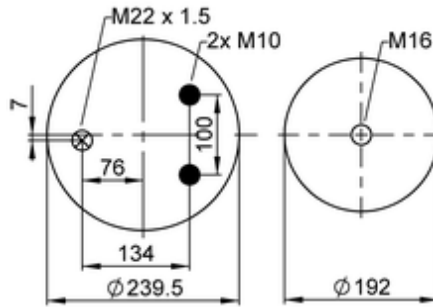
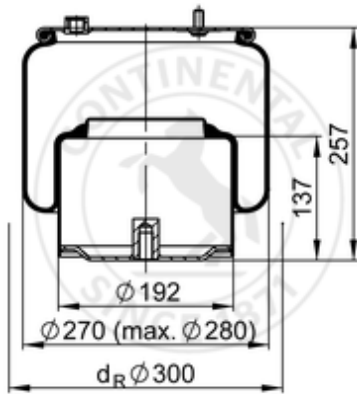


887 N P06
70538


- bolt or stud
- hole
- combination stud
- air inlet
- stud and nut

	6,2 kg
	K008
	M10: max. 35 Nm
	M16: max. 130 Nm
	M22x1.5: max. 20 Nm

OE Manufacturer/Part No.

Manufacturer	Original Part No.	Model
DAF	1 794 428	