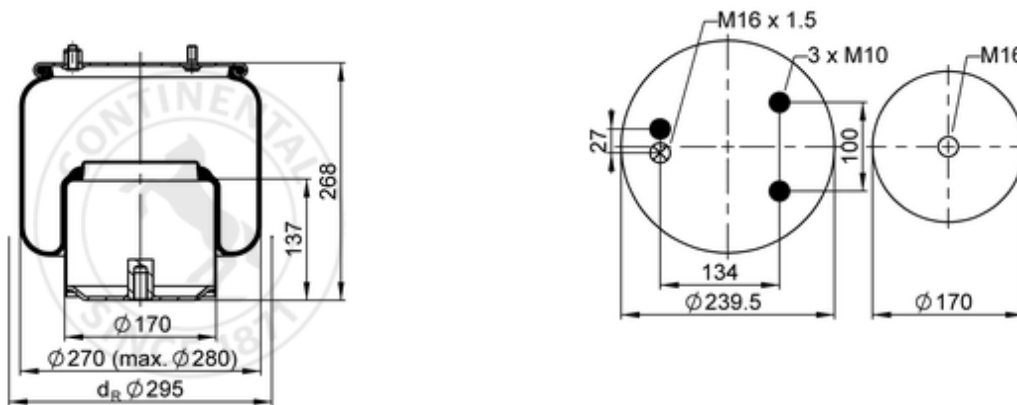


887 M K3
60217


bolt or stud
 hole
 combination stud
 air inlet
 stud and nut

kg	5,6 kg
	K008
	M10: max. 35 Nm
	M16: max. 130 Nm
	M16x1.5: max. 40 Nm

OE Manufacturer/Part No.

Manufacturer	Original Part No.	Model
DAF	1 266 382	
DAF	1 697 682	CF 65
DAF	1 697 682	CF 75-85
DAF	1 697 682	LF 45-55
DAF	1 697 682	XF 95-105

