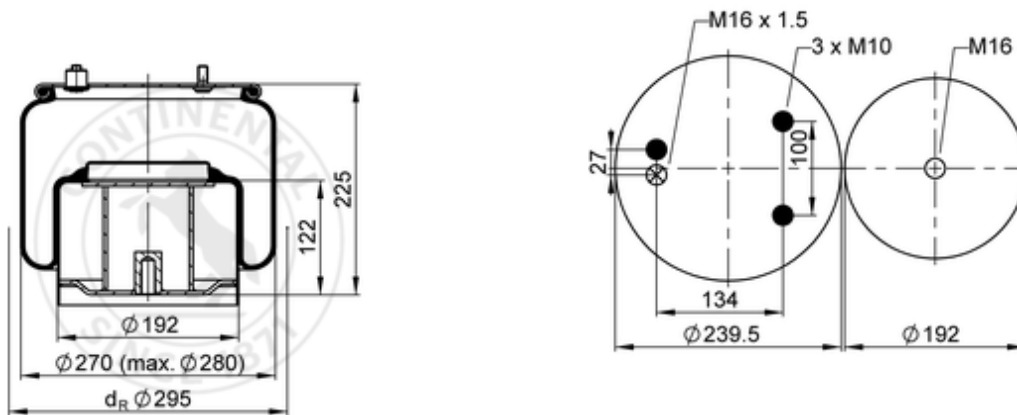


887 M K2
60214


bolt or stud
 hole
 ⊗ combination stud
 ⊗ air inlet
 ● stud and nut

kg	7,6 kg
	K008
	M10: max. 35 Nm
	M16: max. 130 Nm
	M16x1.5: max. 40 Nm

OE Manufacturer/Part No.

Manufacturer	Original Part No.	Model
DAF	1 240 503	
DAF	1 697 685	CF 75-85
DAF	1 697 685	XF 95-105