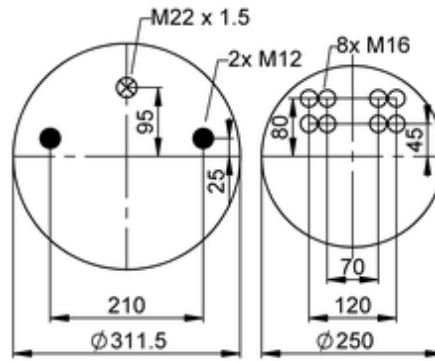
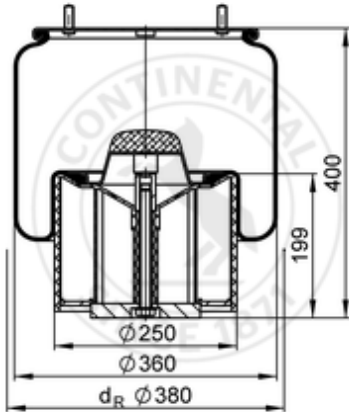


881 MB P30
73423


bolt or stud
 hole
 combination stud
 air inlet
 stud and nut

kg	13,7 kg
	K029
	M12: max. 70 Nm
	M16: max. 230 Nm
	M22x1.5: max. 20 Nm

OE Manufacturer/Part No.

Manufacturer	Original Part No.	Model
Schmitz	751 549	36
Schmitz	750 496	36
Scania	2198330	36
Schmitz	FAG041-0118	36
Hüffermann	6-AB8003-0100	36

