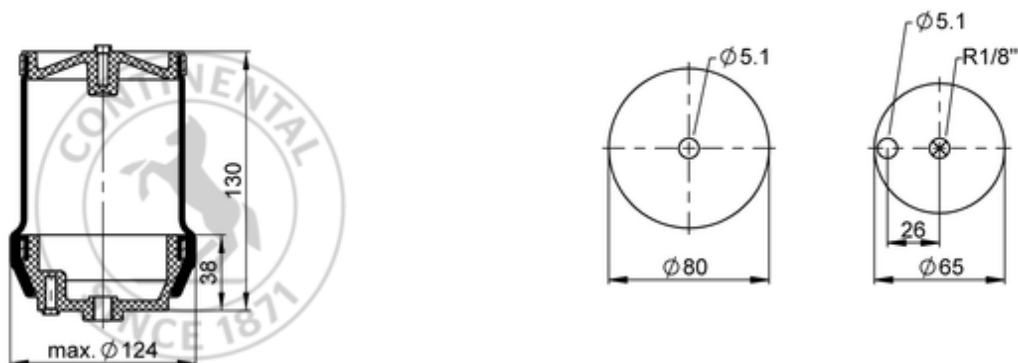







865 Z

72133



-  bolt or stud
-  hole
-  combination stud
-  air inlet
-  stud and nut

 kg	0,3 kg
	

### OE Manufacturer/Reference No.

Manufacturer	Original-part no.	Model
Isringhausen	31590-12	