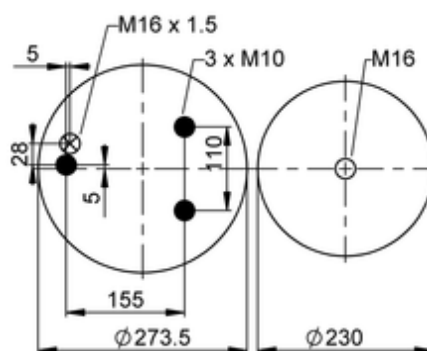
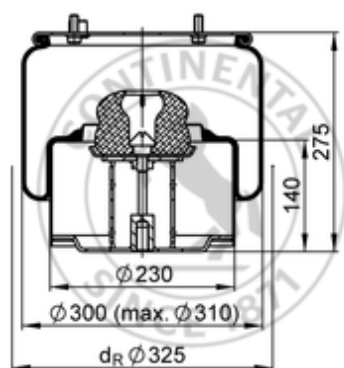






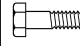






836 MB K6

60277



-  bolt or stud
-  hole
-  combination stud
-  air inlet
-  stud and nut

	9,8 kg
	K008
	
	M10: max. 35 Nm
	M16: max. 130 Nm
	M16x1.5: max. 40 Nm

**OE Manufacturer/Reference No.**

Manufacturer	Original-part no.	Model
DAF	0 526 651	
VDL Bus	0 526 651	