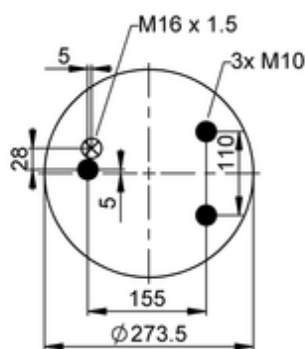
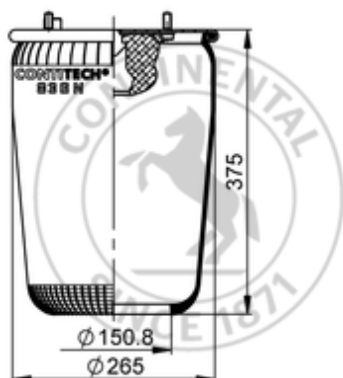






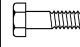




836 MB

60281



-  bolt or stud
-  hole
-  combination stud
-  air inlet
-  stud and nut

 kg	5,5 kg
	K008
	M10: max. 35 Nm
	M16x1.5: max. 40 Nm

OE Manufacturer/Reference No.

Manufacturer	Original-part no.	Model
DAF	0 513 985	
VDL Bus	0 513 985	