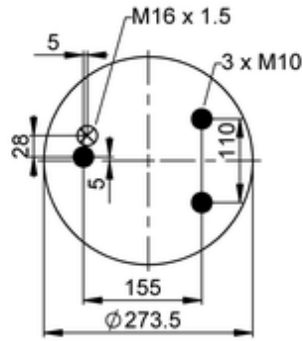
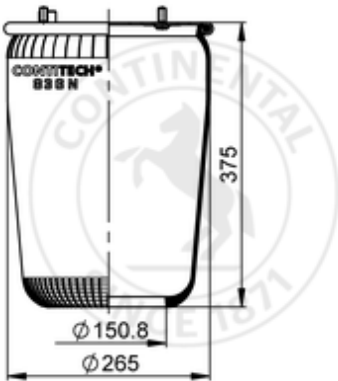






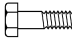




836 M

60279



-  bolt or stud
-  hole
-  combination stud
-  air inlet
-  stud and nut

 kg	4,3 kg
	K008
	M10: max. 35 Nm
	M16x1.5: max. 40 Nm

OE Manufacturer/Part No.

Manufacturer	Original Part No.	Model
DAF	0 067 504	
VDL Bus	0 067 504	