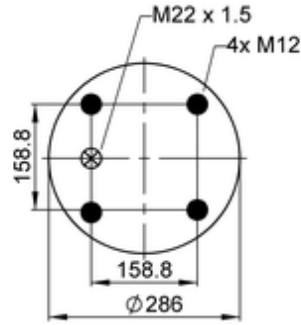
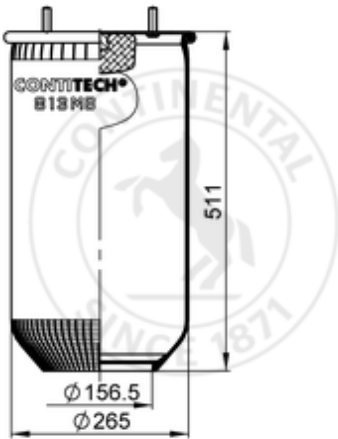


813 MB/O
67190


- bolt or stud
- hole
- combination stud
- air inlet
- stud and nut

kg	5,5 kg
	M12: max. 70 Nm
	M22x1.5: max. 20 Nm

OE Manufacturer/Part No.

Manufacturer	Original Part No.	Model
Meritor		
SAF - Holland		2923 Service Assembly
Weweler		Service Assembly
Hendrickson		Service Assembly