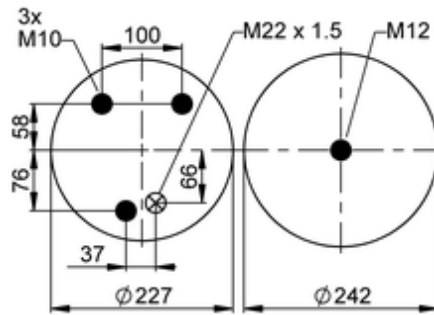
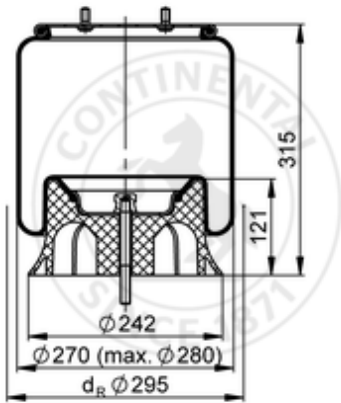












792 N P02

73701



-  bolt or stud
-  hole
-  combination stud
-  air inlet
-  stud and nut

 kg	5,3 kg
	
	M10: max. 45 Nm
	M12: max. 60 Nm
	M22x1.5: max. 20 Nm

OE Manufacturer/Part No.

Manufacturer	Original Part No.	Model
DAF	1 793 526	FAR